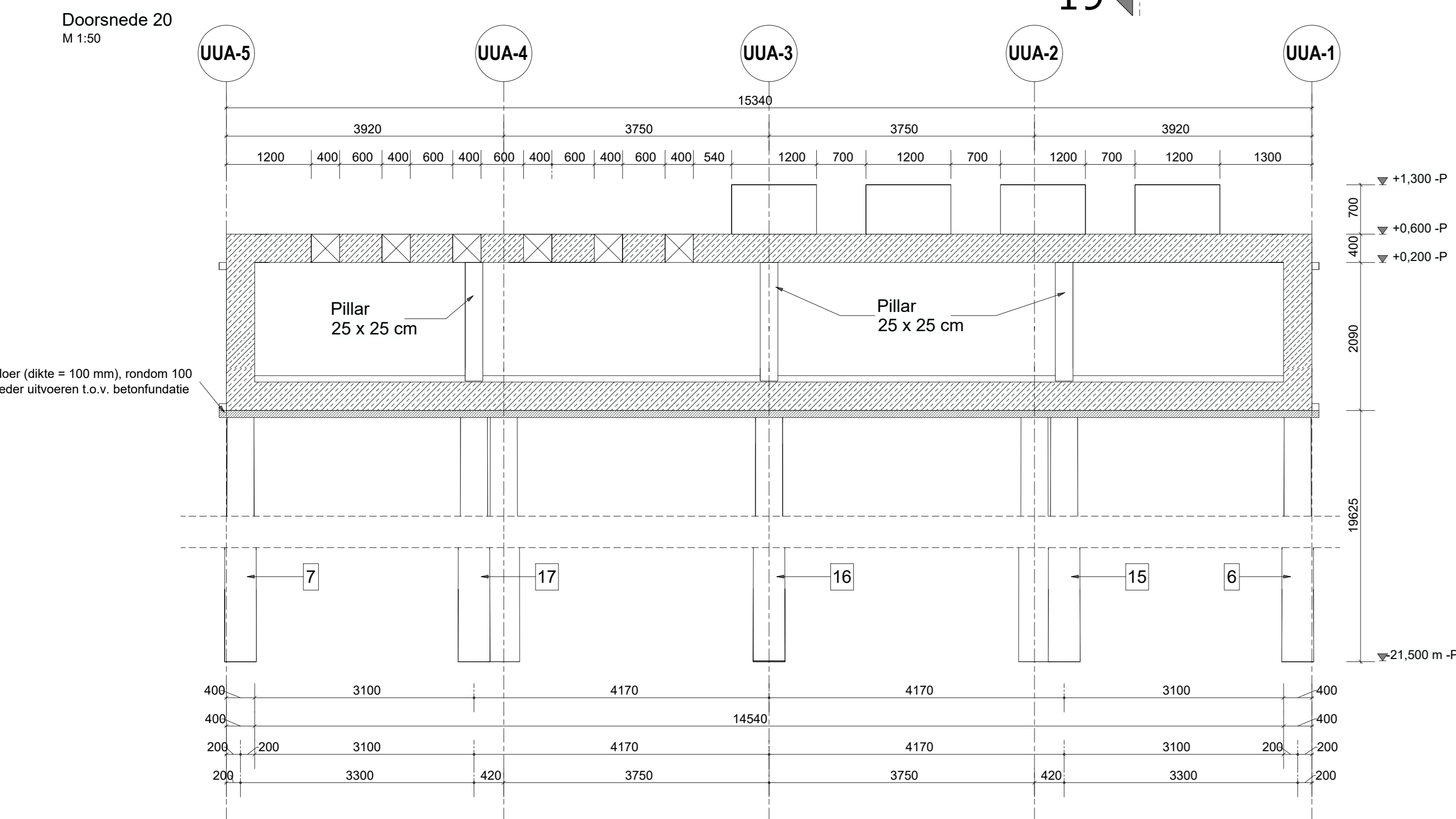
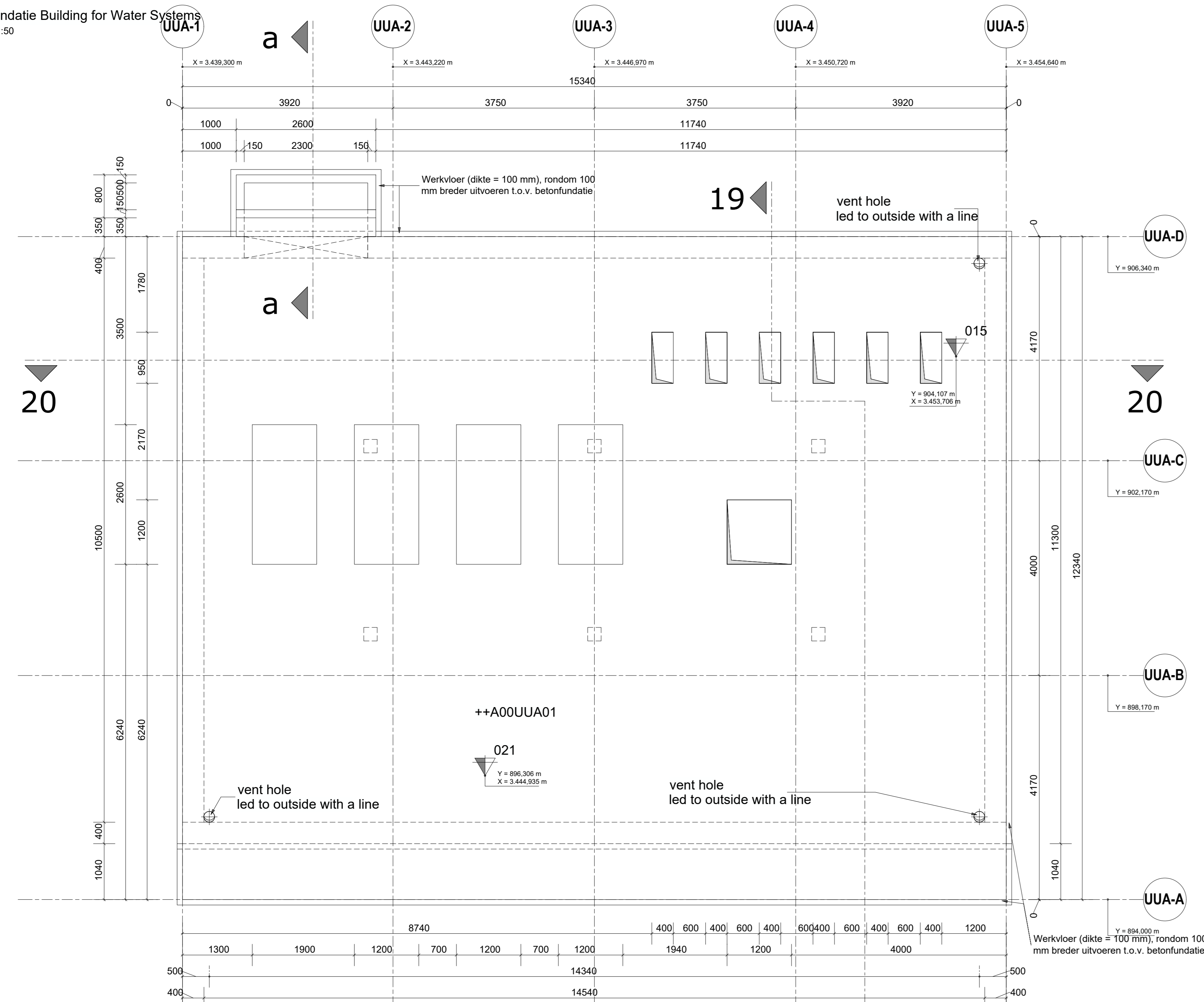
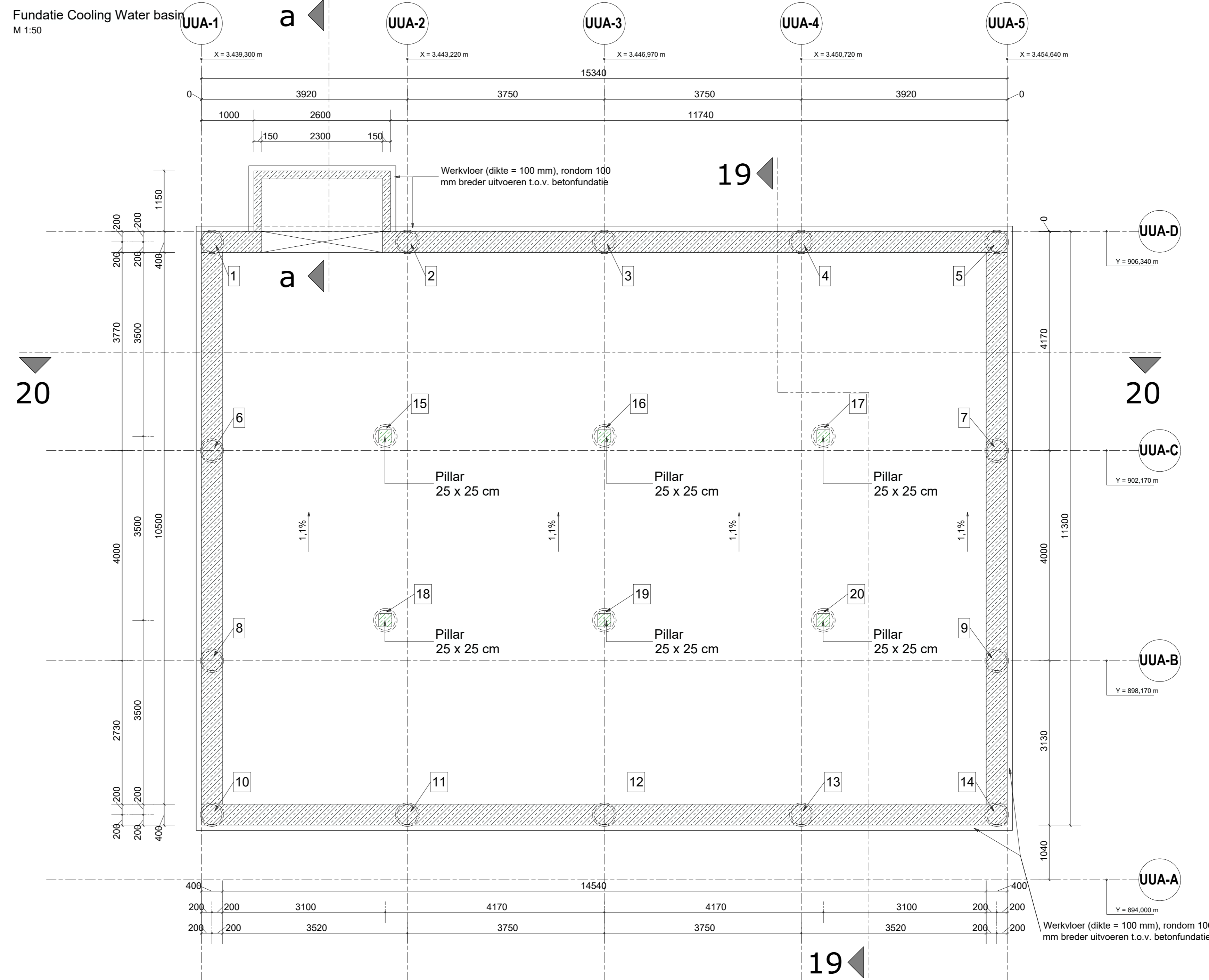


Fundatie Building for Water Systems  
M 1:50

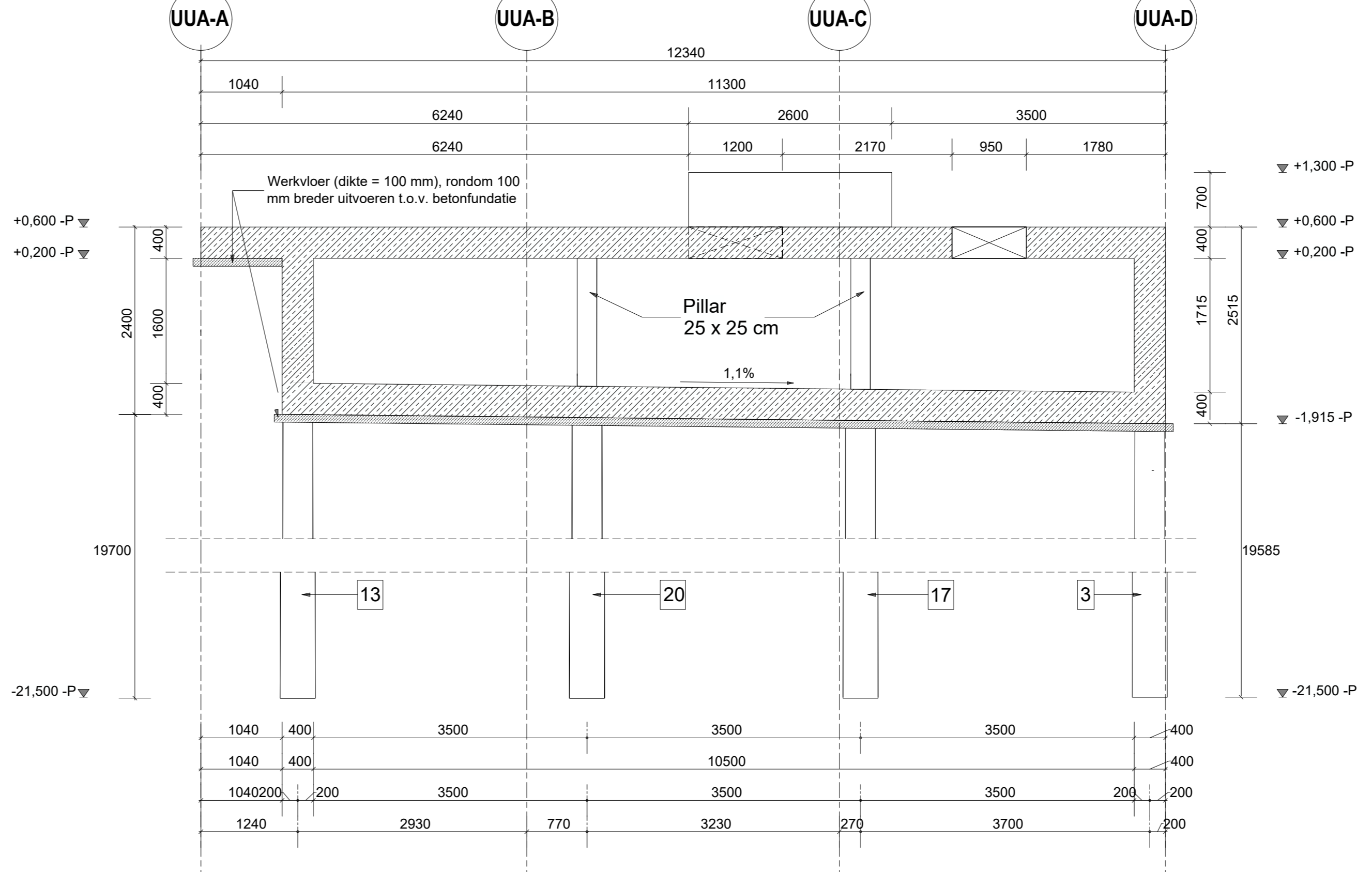


Pile-Nr.	DIAM. [MM]	PAALPUNT		BELASTING [kN]			RD-COORDINATEN	
		TOV NAP	E IN [mm]	PZ	PY	PX	X	Y
1	Ø380/450	-21.50	19900	500,00	50,00	50,00	3439,500	906,140
2							3443,220	906,140
3							3446,970	906,140
4							3450,720	906,140
5							3454,440	906,140
6			19950				3439,500	902,170
7			19950				3454,440	902,170
8			20000				3439,500	898,170
9			20000				3454,440	898,170
10			20020				3439,500	895,240
11							3443,220	895,240
12							3446,970	895,240
13							3450,720	895,240
14							3454,440	895,240
15			19950				3442,800	902,440
16							3446,970	902,440
17							3451,140	902,440
18							3442,800	898,940
19			20000				3446,970	898,940
20							3451,140	898,940

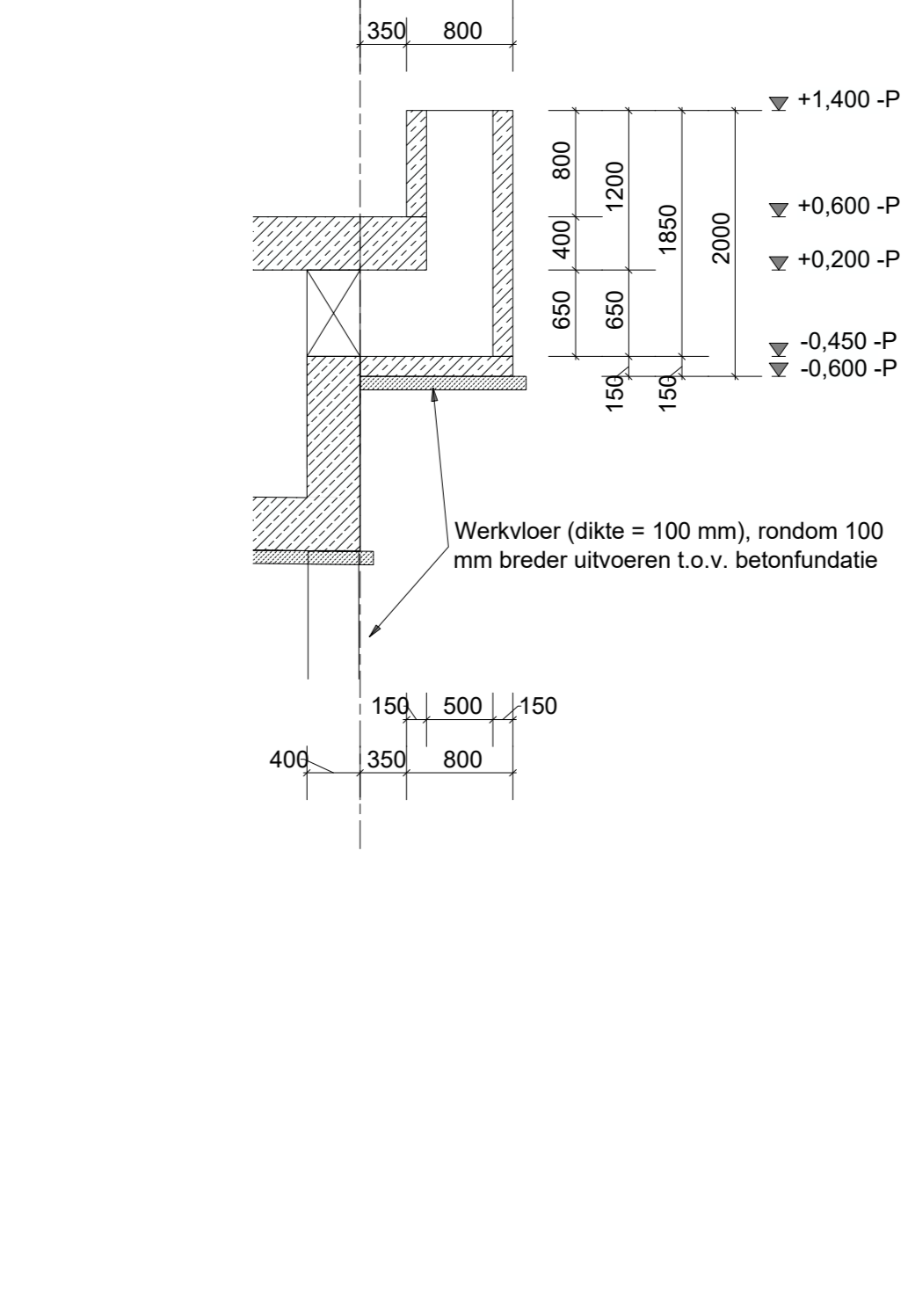
Fundatie Cooling Water basin  
M 1:50



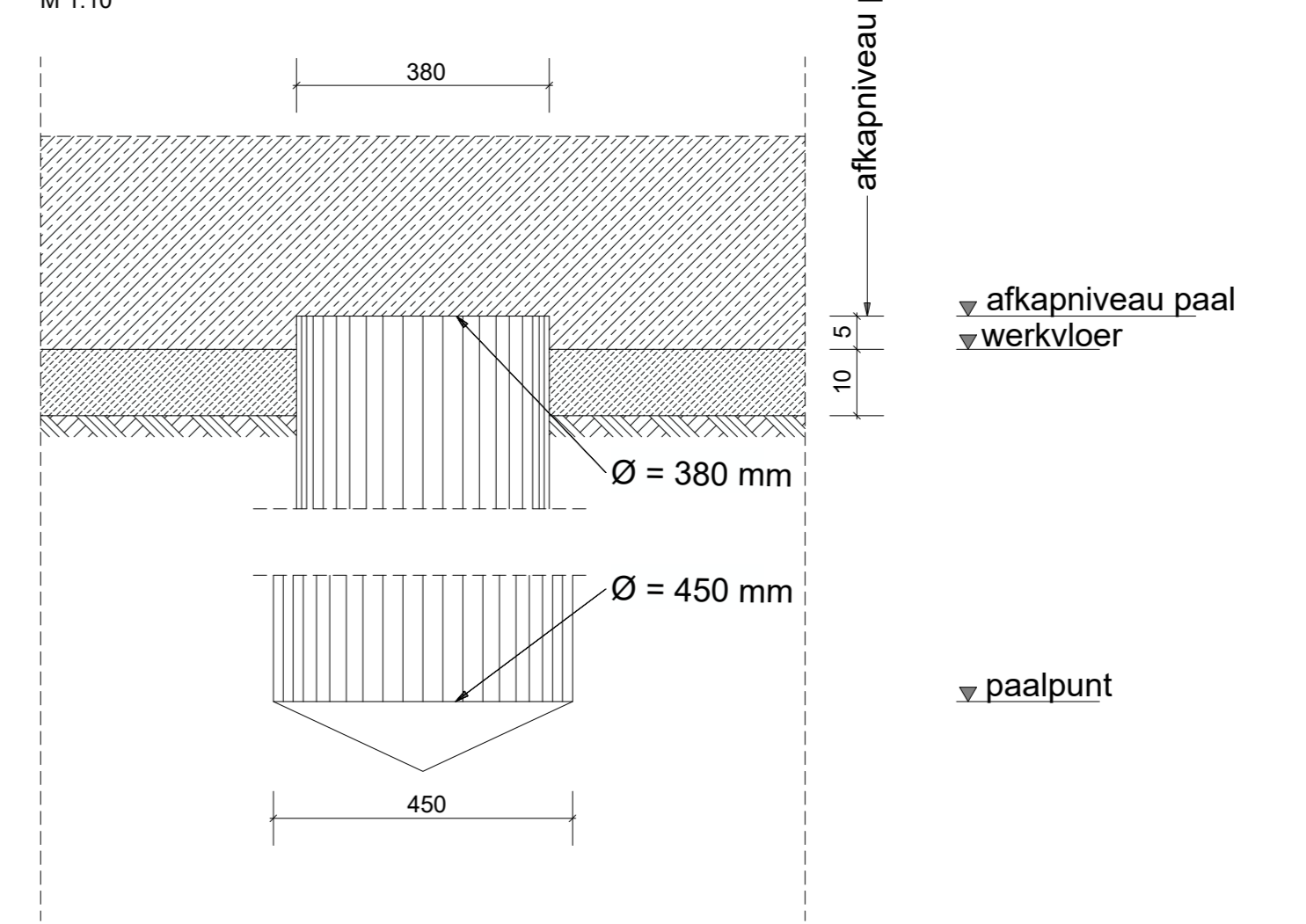
Doorsnede 19  
M 1:50



Doorsnede a  
M 1:50



Detail Paal  
M 1:10



**LEGENDA**

- Beton gewapend
- Beton ongewapend
- Snee 1
- Snijlijn
- 0XX Sondering 0XX

**Drawing legende**

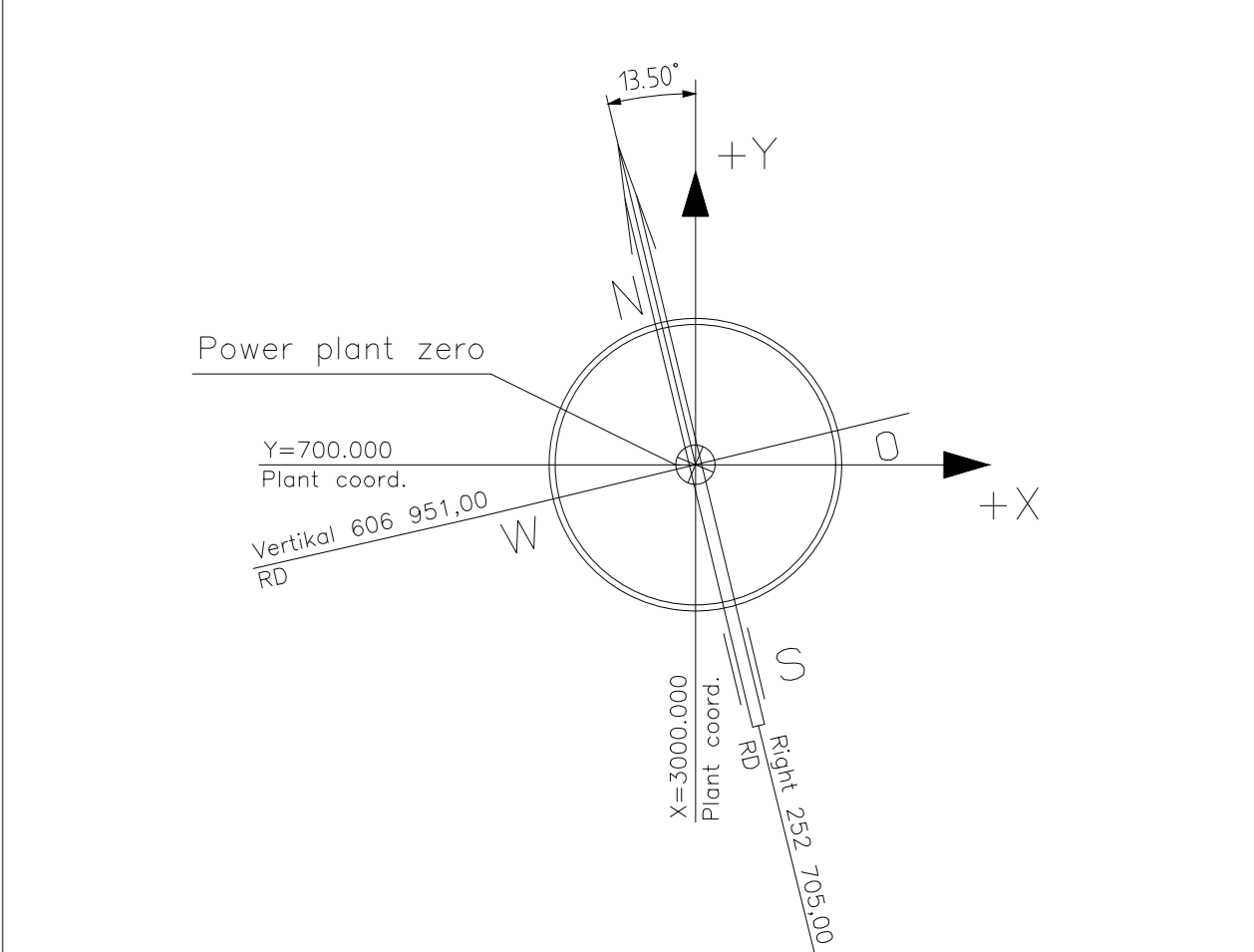
Frost-proof material is to be installed to a depth of 0.8 m if the foundations are not embedded deeper than 0.8 m.

**Building materials**

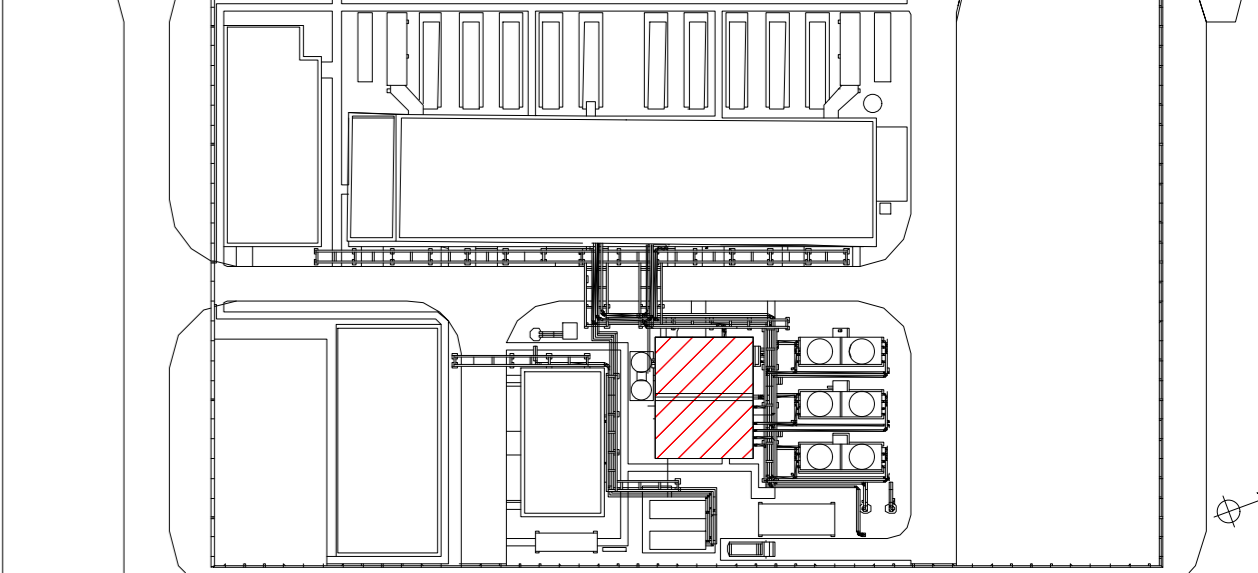
Concrete C30/37 Piletype: Fundex or similar  
Reinforcement B500  
Werkvloer C12/15

**Referentie tekeningen**

Naam	Nummer	Revisie datum	Revisie
Overview Outdoor Foundations	035230TH-000-CTA010-0007	2023.04.26	-D



Ground level existing powerplant = 4.70m + NAP = EL. +0.00m  
Ground level Eemshydrogen = 5.30m + NAP = EL. +0.60m  
Site finished grade Eemshydrogen = 5.10m + NAP = EL. +0.40m



Planner: **RWE Technology International GmbH**  
Eemsh2 Unit A  
Overview Foundations  
Building for Water Systems

Tekening nummer: **035230TH-000-CTA010-0013**

sch.	datum	gepl.	gecont.	omschrijving	
D	2023.06.07	Fardas	Lenke	Coster	Floor level basin changed
C	2023.04.26	Heinrichs	Maibaum	Zinner	Overall Update (Comments 17.04.2023)
B	2023.03.21	Heinrichs	Maibaum	Zinner	Overall Update (Protocol No 1 RWE 21.02.2023)
A	2023.01.24	Heinrichs	Maibaum	Zinner	First issue

revisie datum = 17 getekend gecontrol = 18 vrijgegeven = 19 omschrijving = 20